



SIDE GRIP VIBRATORY HAMMER

ANTENG side grip pile drivers are excavator-mounted, high frequency, vibratory-type pile drivers - for handling, pitching, driving and extracting different type of piles in a wide range of site and soil conditions.



Fast



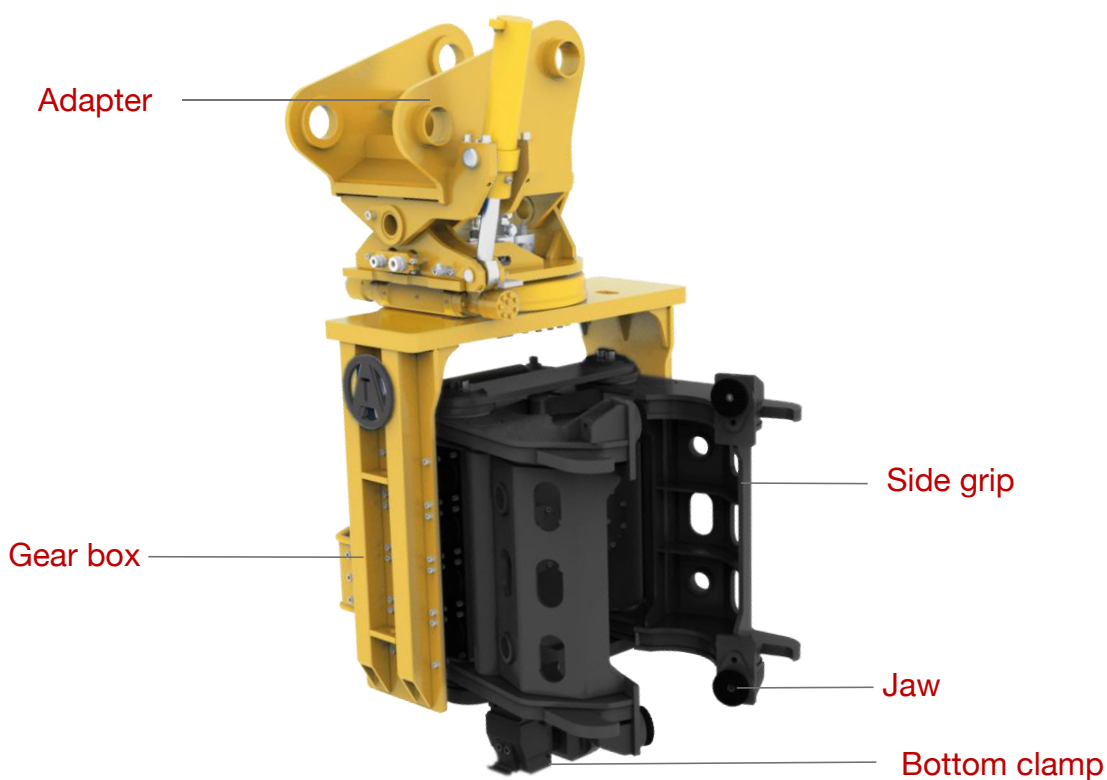
Stable



Efficient



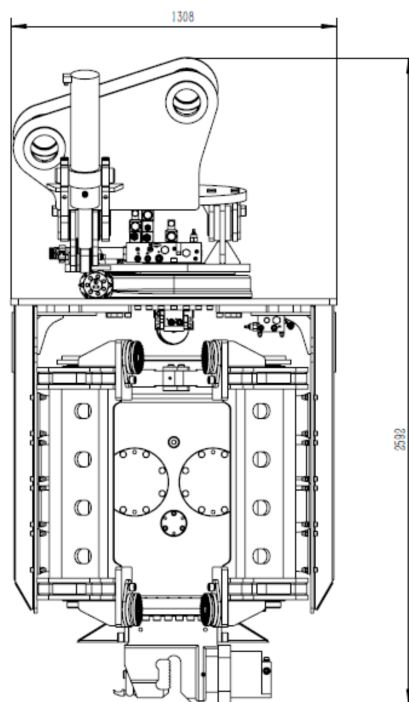
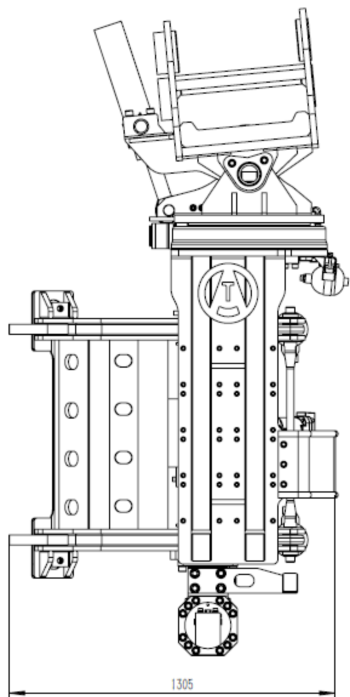
Safe



FEATURES:

1. Full hydraulic flexible control, simple operation, 360 ° rotation, 30 ° tilt , pick up pile easily
2. No need to modify excavator, install and use easily
3. Limited space is available
4. Available for a wide range of piles including sheet piles, H-piles, tubular steel piles, timber piles etc.
5. Precise ,safe, stable ,efficient, and economical, core components are imported from famous brands





AT-75B SPECIFICATION

Eccentric Moment	Kgm	7.5
Centrifugal force	Kn	451
Max. Centrifugal force	Kn	767
Frequency	Rpm	2300-3000
Side clamp force	Kn	558
Bottom clamp force	Kn	550
Hydraulic system operation pressure	bar	320
Rotate/tilt degree	°	360/+ -30
Size	mm	1350*1490*2650
Weight	Kg	3200
Applicable excavator class	Ton	40-50



AT-75B Application:

*AT-75B Designed to match the capabilities of large excavators and to combine a robust structure with excellent pile handling characteristics.

* Fitted with clamps capable of driving a wide range of piles including sheet piles, H-piles, tubular steel piles and other pile sections.



NOTE!

! Preliminary selection. When making the final selection excavator engine size and hydraulic system design (oil pump arrangement, oil flow rate/pressure etc) as well as soil and site conditions shall be taken into account.

! Specifications are subject to change without notice.